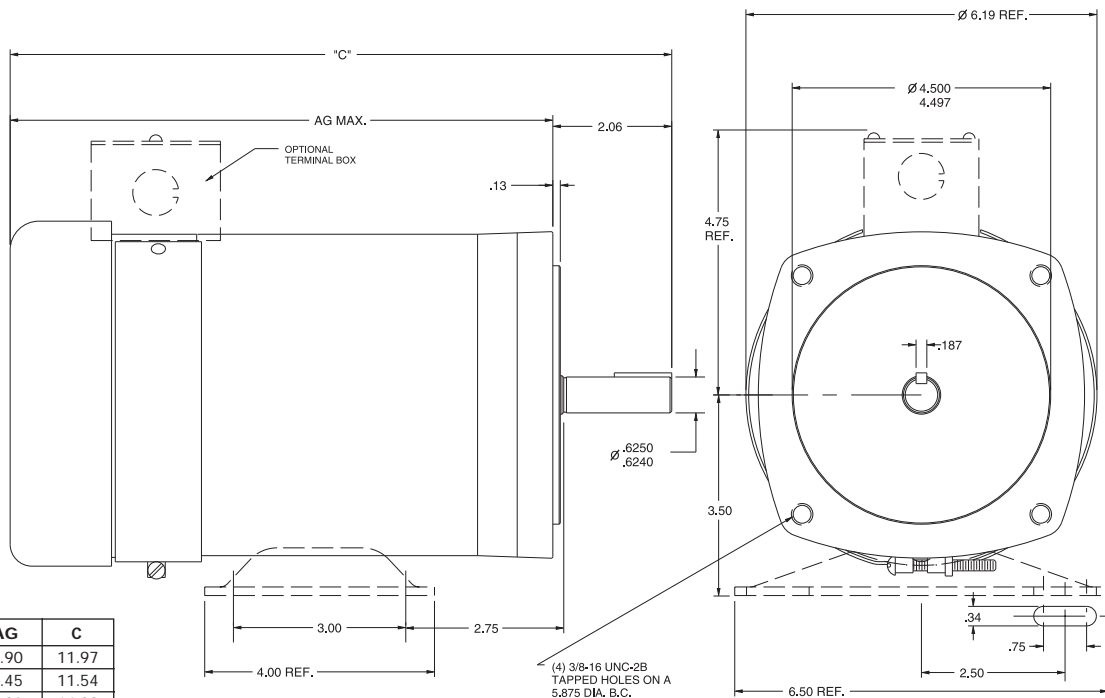




TEFC: 1/2 - 3/4 HP



HP	VOLTS	AG	C
1/2	90	9.90	11.97
1/2	180	9.45	11.54
3/4	90	12.20	14.28
3/4	180	10.70	12.80

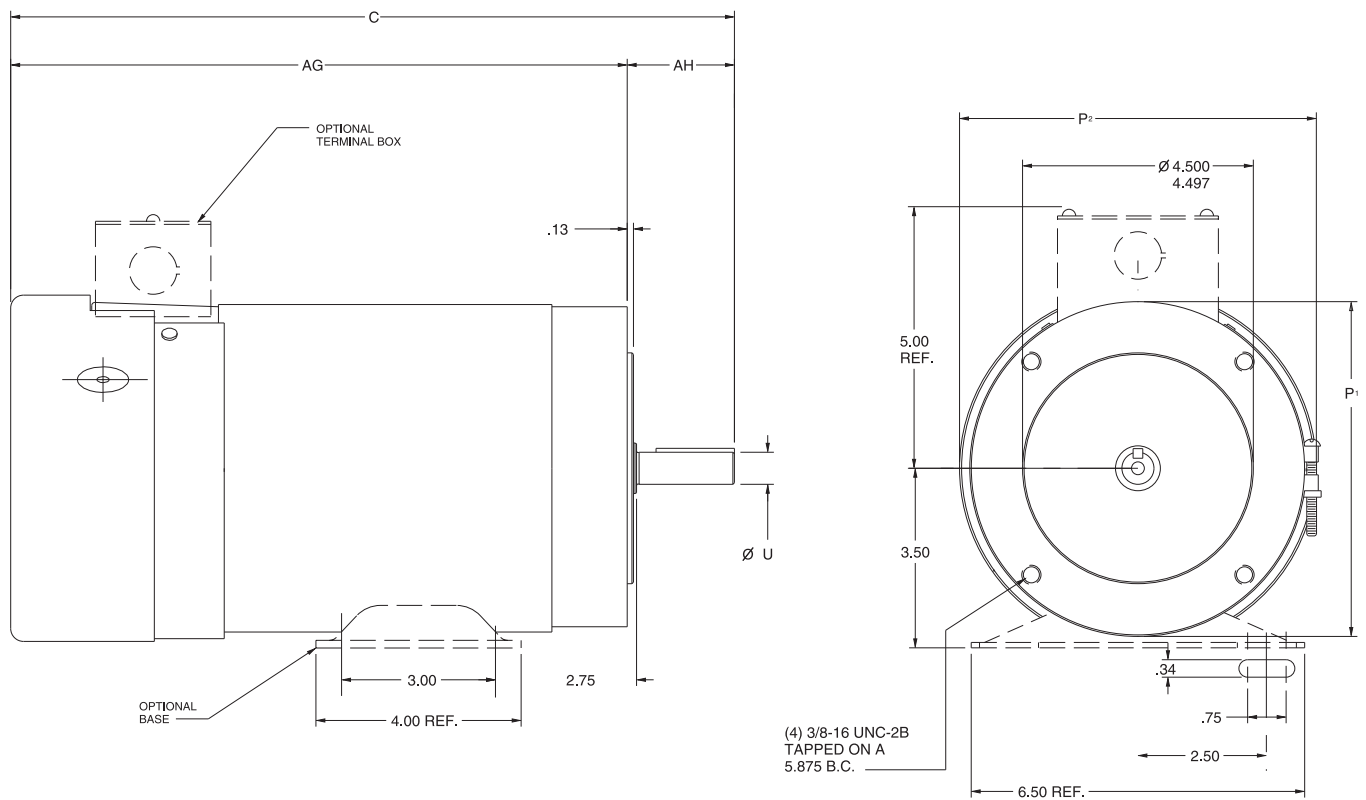
TYPICAL MOTOR DATA - OTHER RATINGS AVAILABLE UPON REQUEST

HP	RPM	VOLTS	FULL LOAD AMPS	MAXIMUM ALLOW. AMPS	FULL LOAD TORQUE LB. FT.	LOCKED ROTOR TORQUE LB. FT.	WEIGHT LBS.	NEMA C-FACE	ENCL.
0.25	1750	90	2.7	32	0.75	9	15	56C	TENV
0.33	1750	90	3.5	64	1.00	17	18	56C	TENV
0.50	1750	90	5.3	71	1.50	18	26	56C	TEFC
0.50	1750	180	2.5	19	1.50	18	32	56C	TEFC
0.75	1750	90	7.6	125	2.25	30	38	56C	TEFC
0.75	1750	180	3.6	29	2.25	30	36	56C	TEFC
1.00	1750	90	10.5	124	3.00	50	44	56C	TEFC
1.00	1750	180	5.2	25	3.00	45	44	56C	TEFC
1.50	1750	180	7.2	49	4.50	100	70	143/145TC	TEFC
1.50	2500	180	7.2	65	3.15	75	70	143/145TC	TEFC
2.00	1750	180	9.5	49	6.00	115	78	143/145TC	TEFC
2.00	2500	180	9.4	65	4.20	105	78	143/145TC	TEFC
3.00	1750	180	14.2	65	9.00	200	102	143/145TC	TEFC
3.00	2500	180	14.1	98	6.30	140	102	143/145TC	TEFC

Published ratings are based on a constant torque load; for other types of load please consult the factory. The electrical design is compatible with SCR controller of the full wave, phase controlled type, or those of the pulse width modulated type. Both types should incorporate a free wheeling diode across the output.



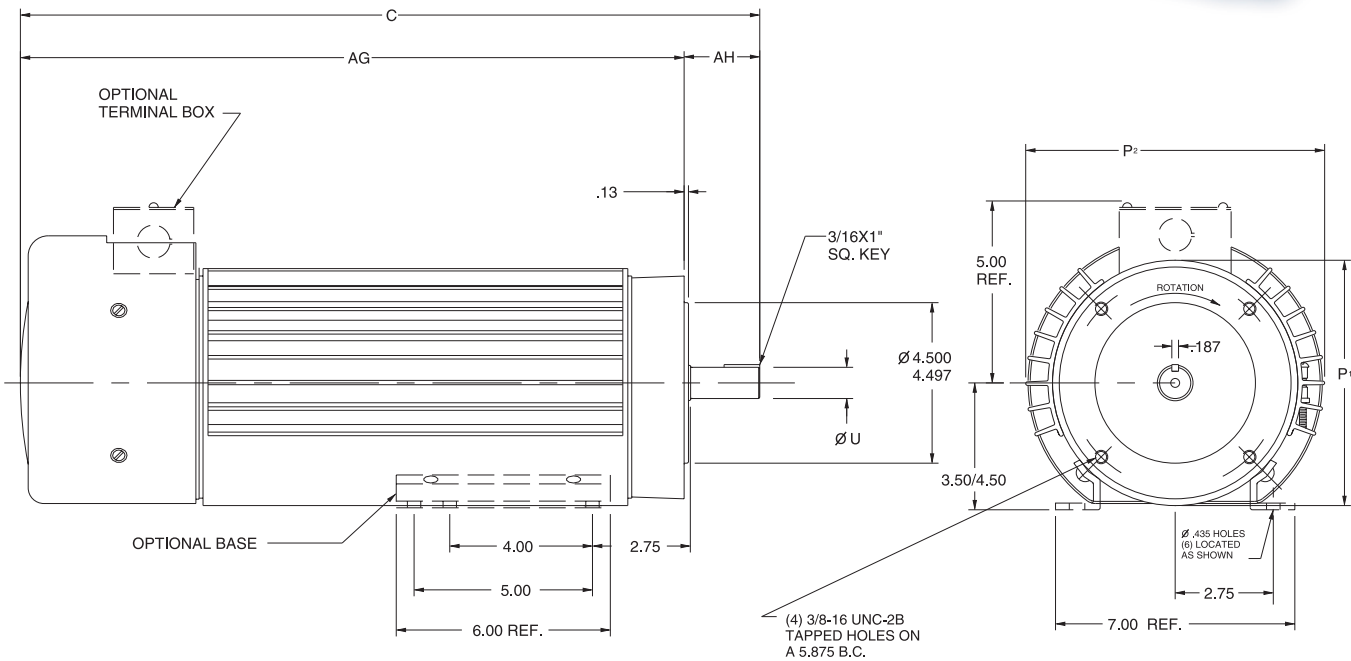
TEFC: 1 - 2 HP



HP	RPM	VOLTS	AG	C	U	AH	P ₁	P ₂
1	1750	90	12.06	14.13	.625	2.06	6.87	6.87
1	1750	180	10.97	13.06	.625	2.06	6.87	6.87
1-1/2	1750	180	12.47	14.41	.875	2.12	6.87	6.87
1-1/2	2500	180	12.47	14.41	.875	2.12	6.87	6.87
2	1750	180	15.00	17.10	.875	2.12	6.87	6.87
2	2500	180	15.00	17.10	.875	2.12	6.87	6.87



TEFC: 3 HP



HP	RPM	VOLTS	AG	C	U	AH	P ₁	P ₂
3	1750	180	18.75	20.93	.875	2.12	7.50	8.38
3	2500	180	18.75	20.93	.875	2.12	7.50	8.38

For further assistance with our motor products, visit us on-line at

www.ohioelectricmotors.com

and/or contact our sales/technical departments at

Phone: 828/626-2901 • Fax: 828/626-2155

or E-mail: sales@ohioelectricmotors.com
30 Paint Fork Road, P.O. Box 168 • Barnardville, NC 28709-0168



AFFILIATE OF **HBD INDUSTRIES, INC.**



OE-19432
Printed in U.S.A.

Websites: www.ohioelectricmotors.com • www.hbdindustries.com

Motors depicted in NEMA standard configurations.
Special face, base, shaft or other mechanical features available upon request.