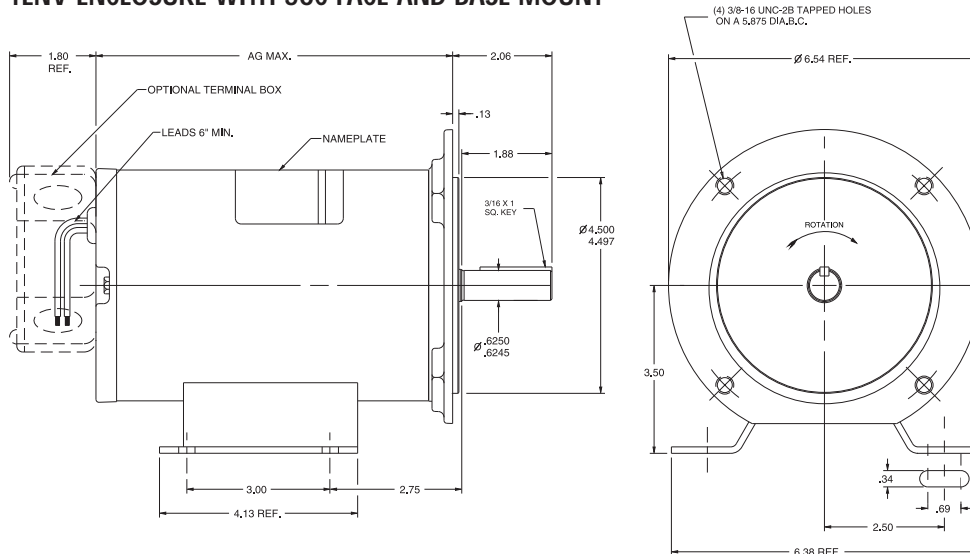




TYPICAL MOTOR DATA - OTHER RATINGS AVAILABLE UPON REQUEST

HP	RPM	VOLTS	FULL LOAD AMPS	LOCKED ROTOR AMPS	MAXIMUM ALLOW. AMPS	FULL LOAD TORQUE LB. FT.	LOCKED ROTOR TORQUE LB. FT.	DUTY	FRAME	ENCL.
0.125	1750	12	12.5	84	167	0.375	3.4	CONT	A-42	TENV
0.125	3500	12	16.5	218	335	0.190	6.0	CONT	A-42	TENV
0.125	1750	24	6.0	49	84	0.375	3.5	CONT	A-42	TENV
0.125	3500	24	8.0	126	168	0.190	6.0	CONT	A-42	TENV
0.125	1750	36	4.0	31	52	0.375	3.7	CONT	A-42	TENV
0.125	3500	36	5.0	92	105	0.190	6.5	CONT	A-42	TENV
0.250	1750	12	24.0	159	279	0.750	6.0	CONT	B-42	TENV
0.250	3500	12	26.0	300	419	0.375	8.7	CONT	B-42	TENV
0.250	1750	24	12.0	78	120	0.750	6.0	CONT	B-42	TENV
0.250	3500	24	13.0	220	240	0.375	10.7	CONT	B-42	TENV
0.250	1750	36	7.5	50	76	0.750	6.0	CONT	B-42	TENV
0.250	3500	36	8.5	126	140	0.375	8.7	CONT	B-42	TENV
0.500	1750	12	43.0	300	558	1.500	16.0	CONT	D-42	TENV
0.500	3500	12	46.0	376	559	0.750	11.6	CONT	B-42	OFC
0.500	1750	24	21.0	224	279	1.500	17.0	CONT	D-42	TENV
0.500	3500	24	23.0	521	559	0.750	30.5	CONT	D-42	TENV
0.500	1750	36	13.5	134	167	1.500	17.0	CONT	D-42	TENV
0.500	3500	36	14.5	320	335	0.750	24.0	CONT	D-42	TENV
0.750	1750	12	65.0	301	419	2.250	15.4	CONT	C-42	TENV
0.750	3500	12	65.0	416	559	1.125	13.3	CONT	C-42	OFC
0.750	1750	24	33.0	168	210	2.250	13.2	CONT	C-42	TENV
0.750	3500	24	32.0	334	335	1.125	16.2	CONT	C-42	OFC
0.750	1750	36	21.0	114	120	2.250	13.0	CONT	C-42	TENV
0.750	3500	36	21.0	232	240	1.125	16.0	CONT	C-42	OFC
1.000	1750	24	41.0	263	279	3.000	23.0	CONT	D-42	OFC
1.000	3500	24	41.0	529	559	1.500	29.0	CONT	D-42	OFC
1.000	1750	36	27.0	178	186	3.000	22.0	CONT	D-42	OFC
1.000	3500	36	27.0	327	335	1.500	23.0	CONT	D-42	OFC

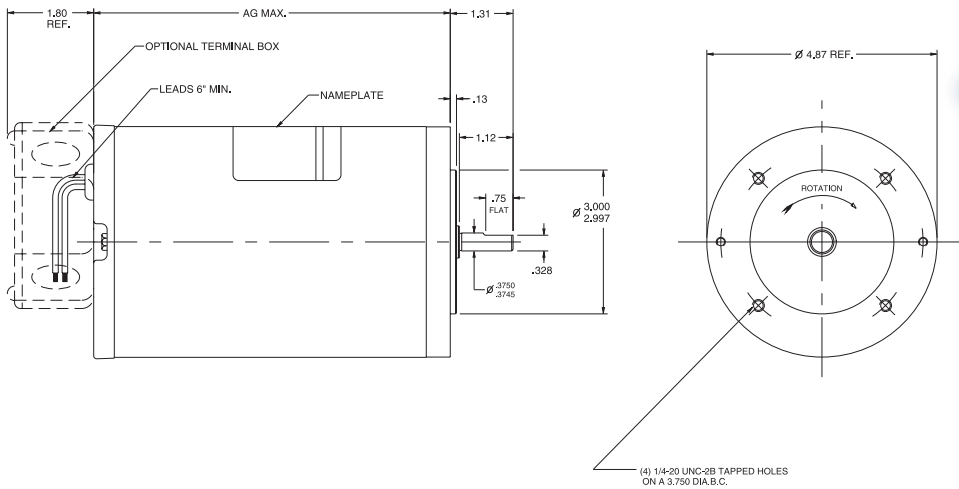
TENV ENCLOSURE WITH 56C FACE AND BASE MOUNT



FRAME	AG
A42	5.67
B42	6.29
C42	7.79
D42	8.79
E42	10.29

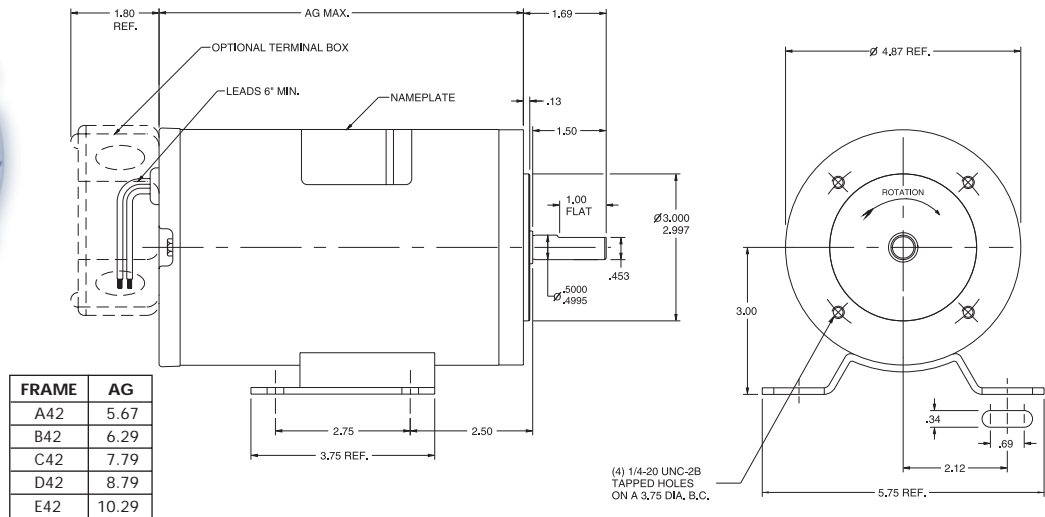
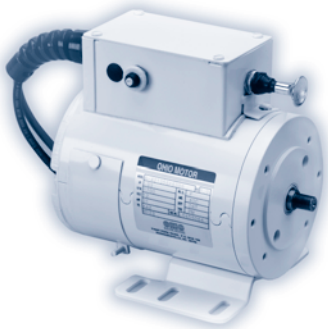


TENV ENCLOSURE WITH 42C FACE AND BASE MOUNT



FRAME	AG
A42	5.67
B42	6.29
C42	7.79
D42	8.79
E42	10.29

TENV ENCLOSURE WITH 48C FACE AND BASE MOUNT



FRAME	AG
A42	5.67
B42	6.29
C42	7.79
D42	8.79
E42	10.29

For further assistance with our motor products, visit us on-line at
www.ohioelectricmotors.com
 and/or contact our sales/technical departments at

Phone: 828/626-2901 • Fax: 828/626-2155

or E-mail: sales@ohioelectricmotors.com
 30 Paint Fork Road, P.O. Box 168 • Barnardville, NC 28709-0168



AFFILIATE OF **HBD INDUSTRIES, INC.**

