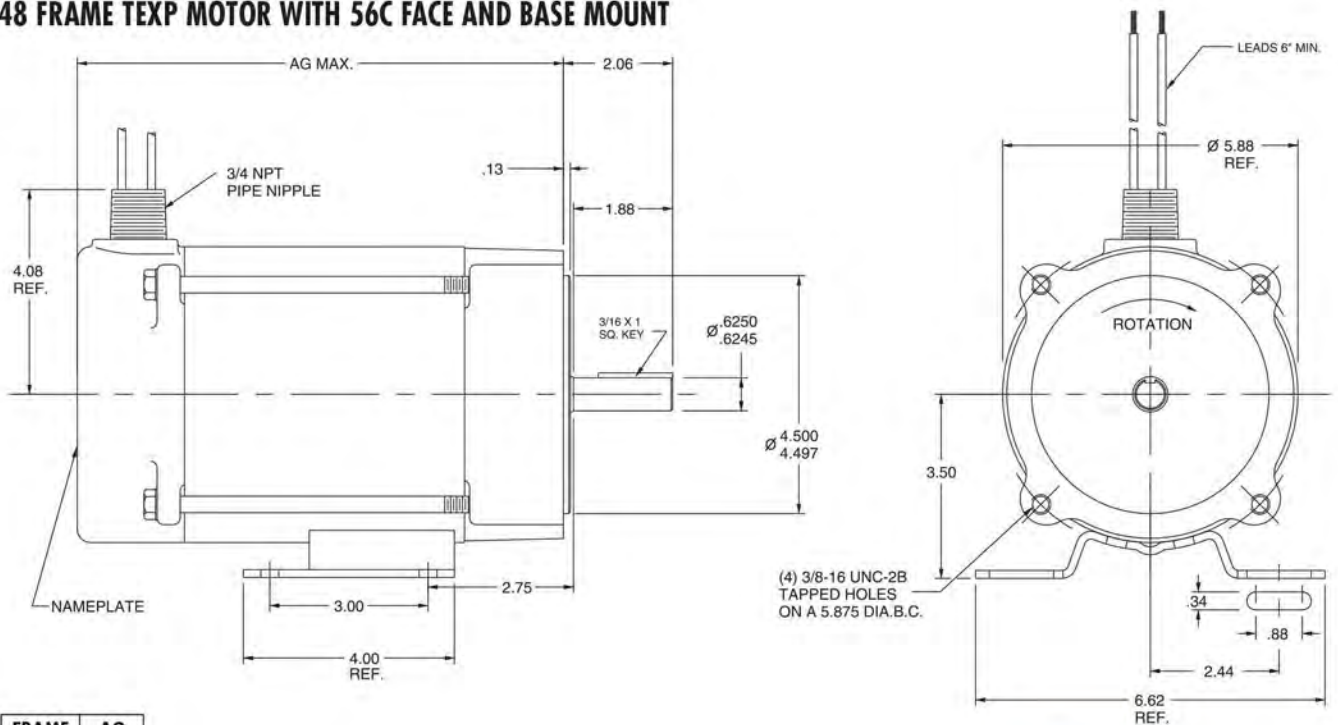




## 48 FRAME TEXP MOTOR WITH 56C FACE AND BASE MOUNT



FRAME	AG
A48	6.70
B48	7.70
C48	8.58
D48	10.20



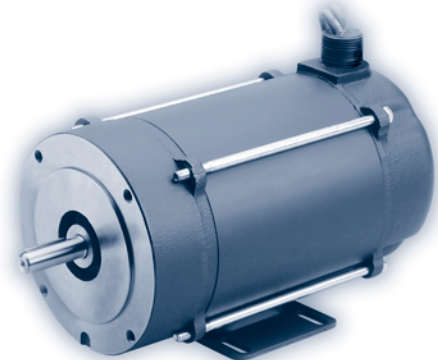
## TYPICAL MOTOR DATA - OTHER RATINGS AVAILABLE UPON REQUEST

HP	RPM	VOLTS	FULL LOAD AMPS	LOCKED ROTOR AMPS	DEMAG CURRENT	FULL LOAD TORQUE LB. FT.	LOCKED ROTOR TORQUE LB. FT.	DUTY	FRAME
0.125	1750	12	17.5	108	348	0.375	4.6	CONT	A-48
0.125	1750	24	8.5	62	174	0.375	5.0	CONT	A-48
0.250	1750	12	27.5	175	522	0.750	8.6	CONT	B-48
0.250	1750	24	13.5	106	261	0.750	9.1	CONT	B-48
0.333	1750	24	15.5	146	313	1.000	13.1	CONT	C-48
0.500	1750	24	21.5	222	448	1.500	21.6	CONT	D-48
0.500	3500	24	24.5	348	627	0.750	19.8	INT	C-48
0.750	3500	24	32.5	526	1045	1.125	35.8	INT	D-48
1.000	1750	24	39.5	418	617	3.000	48.9	INT	D-56

**PM MOTOR RATING CHART - TEXP FOR PURE D.C. POWER 12, 24, OR 36 VOLTS**

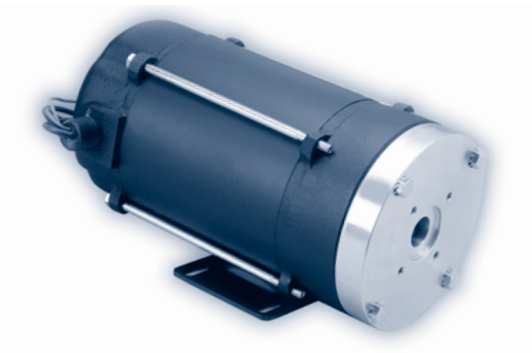
HP	FULL LOAD RPM				
	2500	1725/1750	1140/1150	850	650
*****					
1/20 (.050)	A 48	A 48	A 48	A 48	A 48
1/15 (.067)	A 48	A 48	A 48	A 48	A 48
1/12 (.83)	A 48	A 48	A 48	A 48	A 48
1/8 (.125)	A 48	A 48	A 48	B 48	B 48
1/6 (.167)	A 48	A 48	B 48	B 48	C 48
1/4 (.25)	B 48	B 48	C 48	D 48	C 56
1/3 (.33)	B 48 #B 56	C 48	D 48	C 56	D 56
1/2 (.50)	B 48 #C 56	D 48 #C 56	D 56	D 56	
3/4 (.75)	D 56 ^D 56	D 56			

1. All ratings are continuous duty.
2. All ratings are Class "H" insulation - 40 degrees Celsius Ambient.
3. All ratings are based on D.C. Power.
4. All ratings with ^ are not available in 12 volts.
5. All ratings with # require 56 frame for 12 volts and 48 frame for 24 volts or higher.



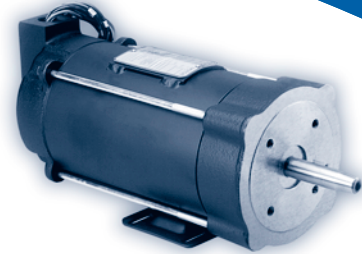
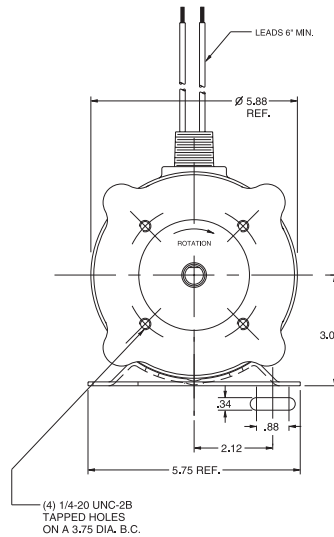
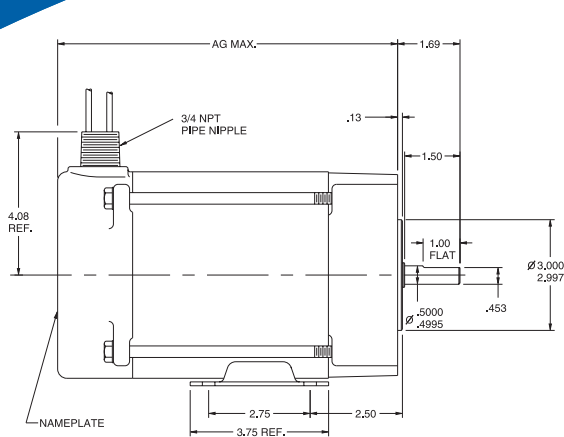
**PM MOTOR RATING CHART - TEXP FOR FULL WAVE RECTIFIED POWER 90 OR 180 VOLTS**

HP	FULL LOAD RPM				
	2500	1725/1750	1140/1150	850	650
*****					
1/20 (.050)	A 48	A 48	A 48	A 48	B 48
1/15 (.067)	A 48	A 48	A 48	A 48	B 48
1/12 (.83)	A 48	A 48	A 48	B 48	B 48
1/8 (.125)	A 48	B 48	B 48	C 48	D 48
1/6 (.167)	A 48	B 48	B 48	D 48	C 56
1/4 (.25)	B 48	C 48	D 48	C 56	D 56
1/3 (.33)	C 48	D 48	C 56	D 56	
1/2 (.50)	D 48	D 56	D 56		



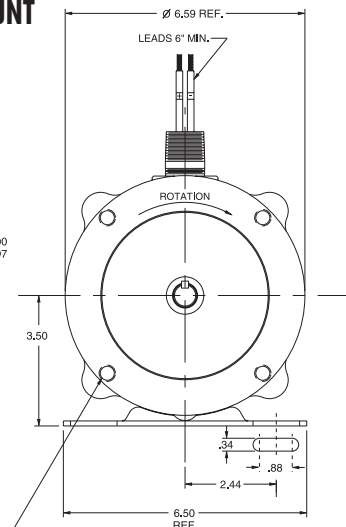
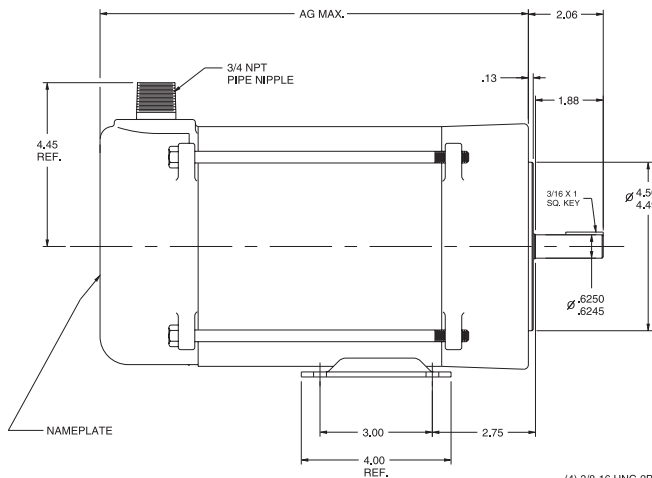
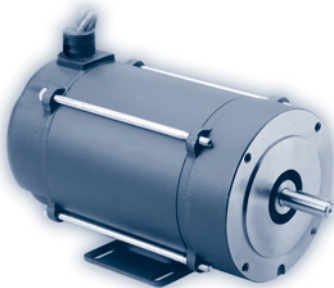
1. All ratings are continuous duty.
2. All ratings are Class "H" insulation - 40 degrees Celsius Ambient.
3. All ratings are based on D.C. Power.

## 48 FRAME TEXP MOTOR WITH 48C FACE AND BASE MOUNT



FRAME	AG
A48	6.70
B48	7.70
C48	8.58
D48	10.20

## 56 FRAME TEXP MOTOR WITH 56C FACE AND BASE MOUNT



FRAME	AG
A56	8.04
B56	8.92
C56	9.79
D56	11.42

For further assistance with our motor products, visit us on-line at  
[www.ohioelectricmotors.com](http://www.ohioelectricmotors.com)  
 and/or contact our sales/technical departments at

**Phone: 828/626-2901 • Fax: 828/626-2155**

or E-mail: [sales@ohioelectricmotors.com](mailto:sales@ohioelectricmotors.com)  
 30 Paint Fork Road, P.O. Box 168 • Barnardville, NC 28709-0168



AFFILIATE OF **HBD INDUSTRIES, INC.**

**Websites: [www.ohioelectricmotors.com](http://www.ohioelectricmotors.com) • [www.hbdindustries.com](http://www.hbdindustries.com)**

