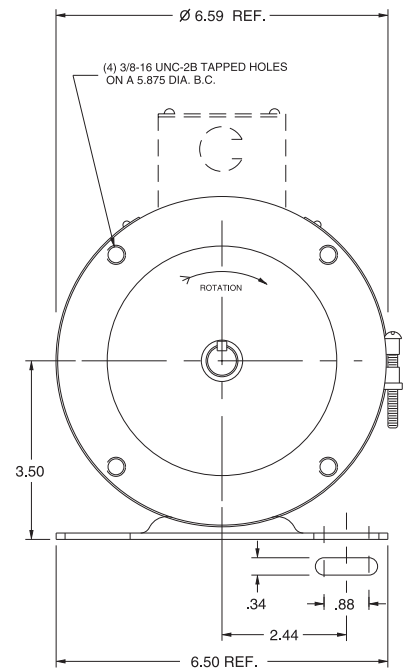
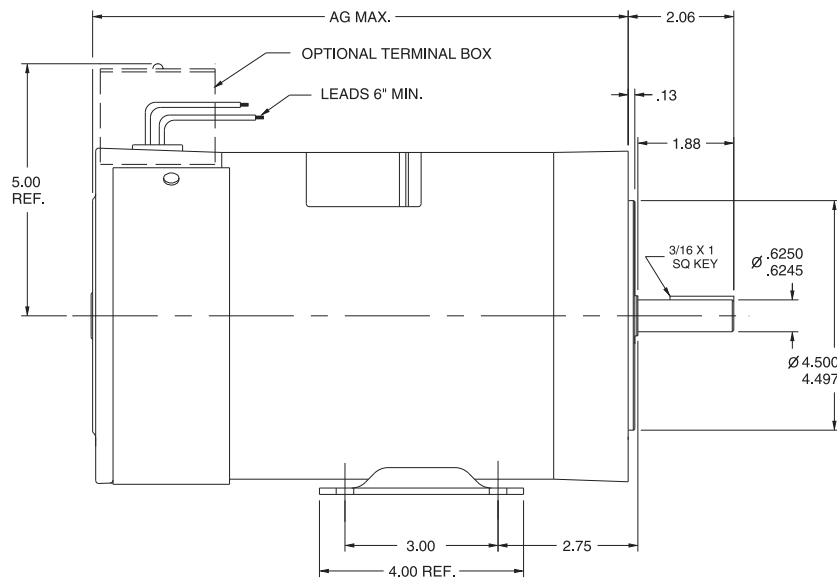


### TENV ENCLOSURE WITH 56C FACE AND BASE MOUNT



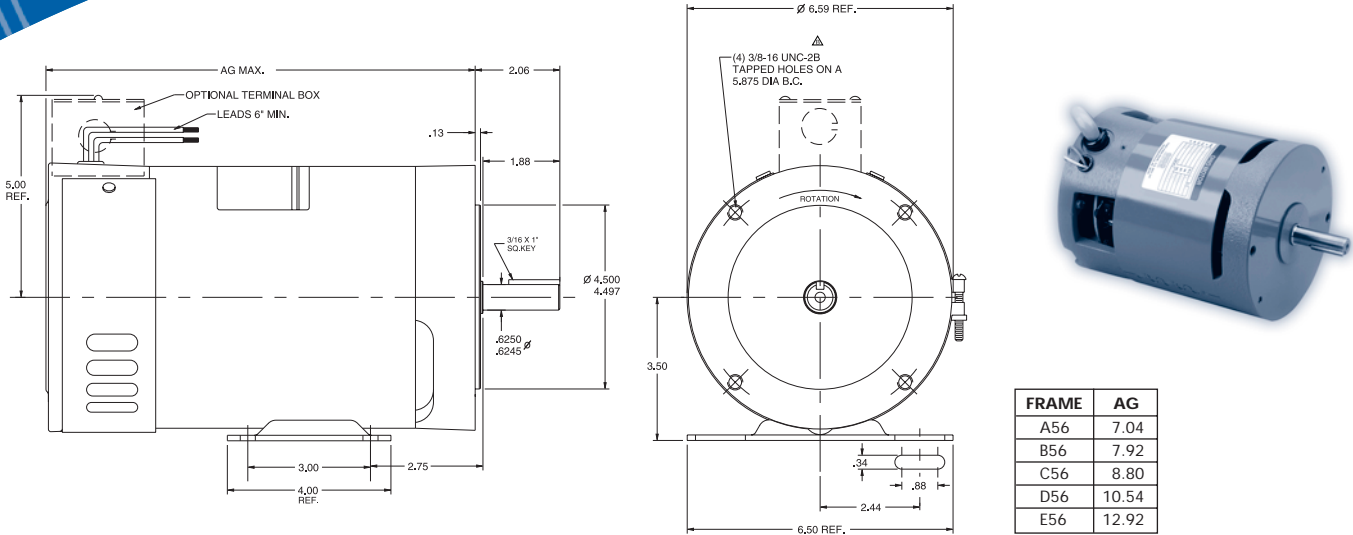
FRAME	AG
A56	7.04
B56	7.92
C56	8.80
D56	10.54
E56	12.92



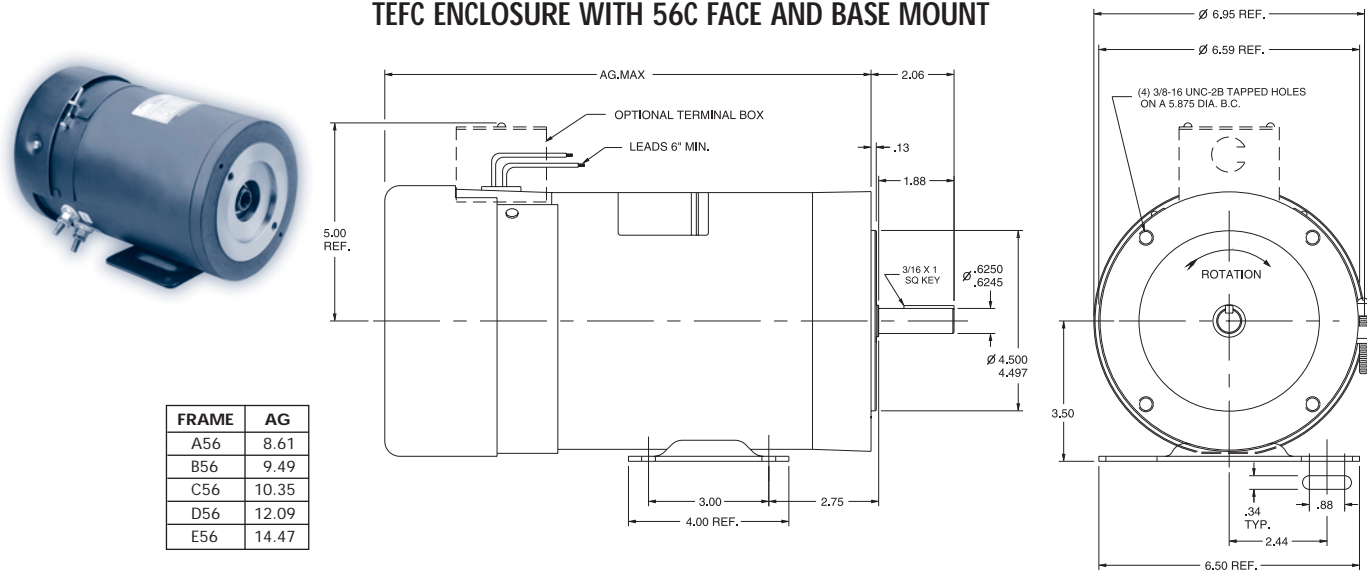
### TYPICAL MOTOR DATA - OTHER RATINGS AVAILABLE UPON REQUEST

HP	RPM	VOLTS	FULL LOAD AMPS	LOCKED ROTOR AMPS	MAXIMUM ALLOW. AMPS	FULL LOAD TORQUE LB. FT.	LOCKED ROTOR TORQUE LB. FT.	DUTY	FRAME	ENCL.
2	1750	12	165	627	1838	6.0	56	INT	E-56	OFC
2	3500	12	162	661	1838	3.0	33	INT	C-56	OFC
2	1750	24	79	490	613	6.0	50	INT	D-56	OFC
2	3500	24	77	896	1225	3.0	64	CONT	D-56	OFC
2	1750	36	52	411	666	6.0	54	CONT	E-56	OFC
2	3500	36	52	800	1200	3.0	70	CONT	D-56	OFC
3	1750	24	117	705	918	9.0	82	INT	E-56	OFC
3	3500	24	113	961	1225	4.5	71	INT	D-56	OFC
3	1750	36	78	612	990	9.0	82	INT	E-56	OFC
3	3500	36	78	1200	1800	4.5	125	CONT	E-56	OFC

## ODP ENCLOSURE WITH 56C FACE AND BASE MOUNT



## TEFC ENCLOSURE WITH 56C FACE AND BASE MOUNT



For further assistance with our motor products, visit us on-line at  
[www.ohioelectricmotors.com](http://www.ohioelectricmotors.com)  
 and/or contact our sales/technical departments at

**Phone: 828/626-2901 • Fax: 828/626-2155**

or E-mail: [sales@ohioelectricmotors.com](mailto:sales@ohioelectricmotors.com)  
 30 Paint Fork Road, P.O. Box 168 • Barnardville, NC 28709-0168



AFFILIATE OF HBD INDUSTRIES, INC.

Websites: [www.ohioelectricmotors.com](http://www.ohioelectricmotors.com) • [www.hbdindustries.com](http://www.hbdindustries.com)

